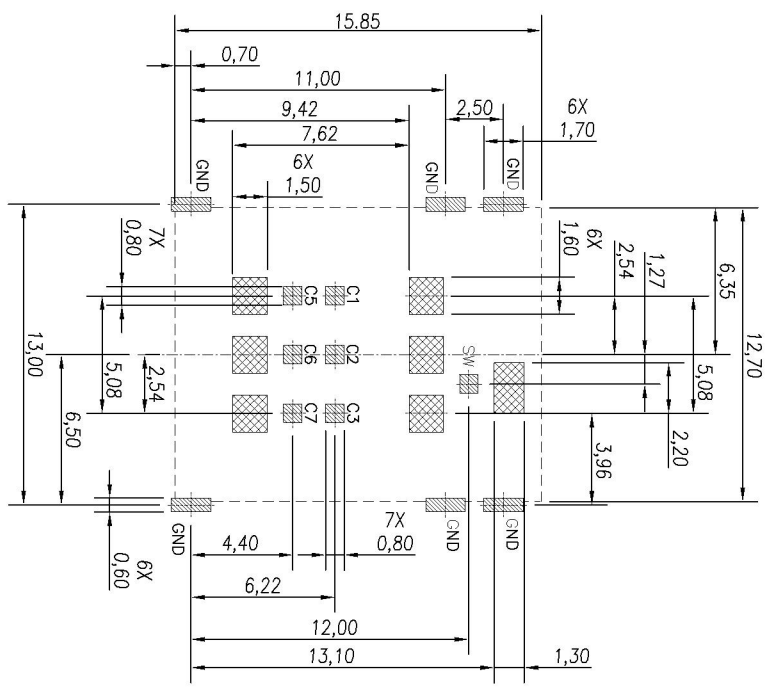
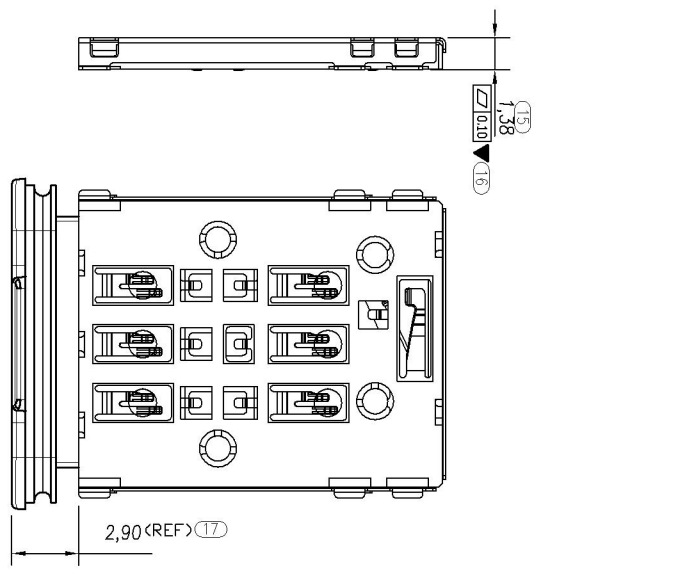
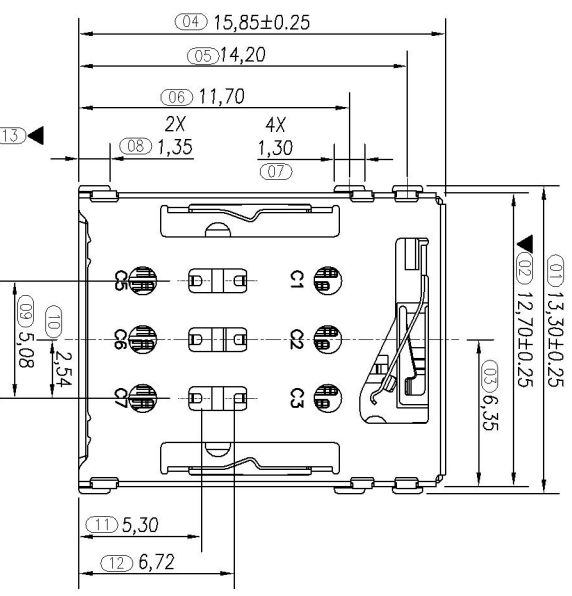
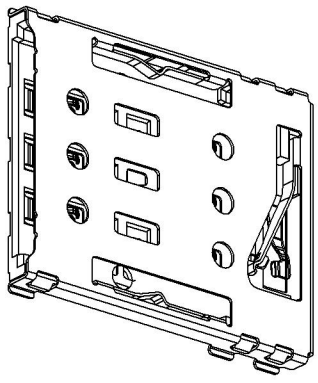


ROHS

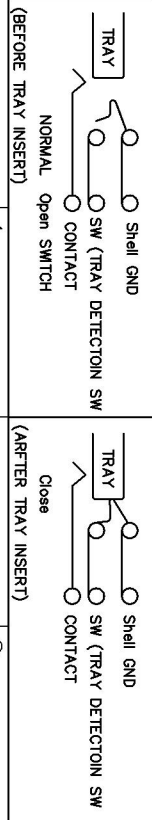
REV.	EC#	DESCRIPTION	DATE	DRAWING	CHECKED	APPROVED
A0		NEW RELEASE	2020.09.22	MO	TEDDY	SUNNLY



TECHNICAL CHARACTERISTICS
 1.General Characteristics
 Dimensions: 12.85Lx17.20Wx1.38H mm
 TRAY MATING FORCE: 2~10N
 TRAY UNMATING FORCE: 4~10N
 Durability: 1,500 cycles min.
 2.Electrical Characteristics
 Contact resistance: 50mΩ typical,
 100mΩ max
 Insulation resistance: >1000MΩ/500V DC
 3.Solderability
 Vaporphase: 15°C, 30sec: Max
 IR reflow: 260°C, 5sec: Max
 Manual soldering: 370°C, 3sec: Max
 4.Environmental Characteristics
 Operating temperature: -40°C~+85°C
 Operating humidity: 10%~95%/RH



CIRCUIT DIAGRAM FOR DETECT SWITCHES



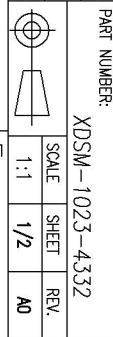
ITEM	PART NAME	QTY	MATERIAL	FINISH
1	HOUSING	1	Hi-temp Thermoplastic	Black UL94V-0
2	CONTACT	1	Copper Alloy	Contact area: Gold plated
3	SHELL	1	Stainless Steel	Solder area: Gold plated

RECOMMENDED P.C.B LAYOUT
 COMPONENT SIDE(TOLERANCE ±0.05)
 ▨ PAD AREA
 □ KEEP AREA
 ▨ ▨ ND PATTERN AND VIA HOLE IN THIS AREA

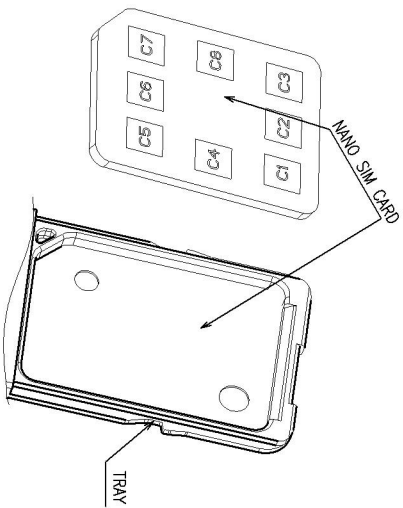
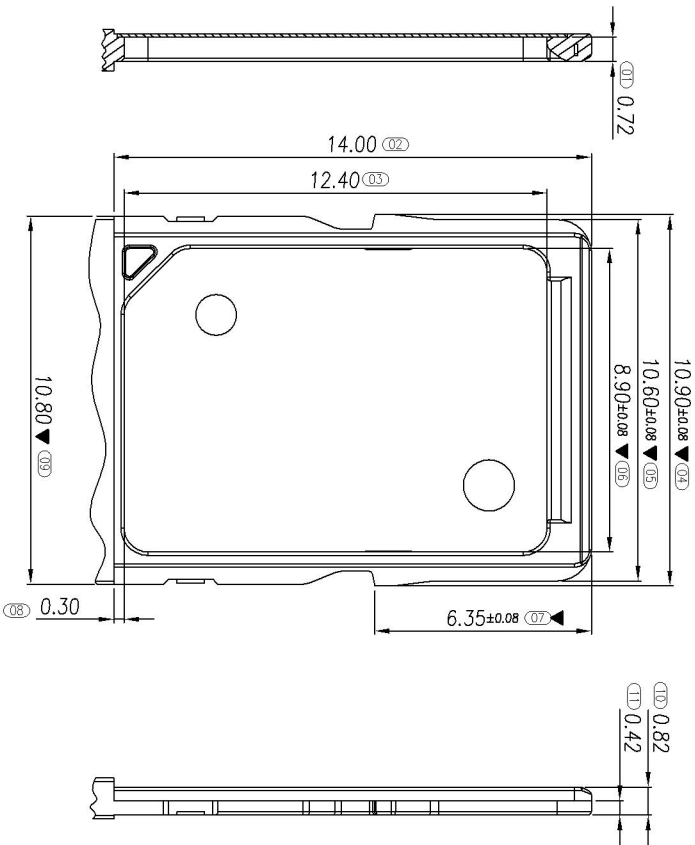
深圳市连欣科技有限公司

MILLIMETERS	INCH
X° ± Z	X° ± Z
X ± 0.38	.XX ± 0.012
.XX ± 0.25	.XXX ± 0.008
.XXXX ± 0.15	.XXXX ± 0.004

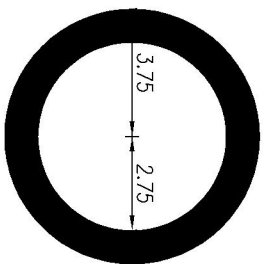
UNITS	MM	TITLE
MAT'L	SEE NOTES	DWG NO.: LXSM-102314332-00
FINISH	SEE NOTES	NANO SMT 1.38H Pin Push 抽拉式卡扣款
QTY	SEE NOTES	APPD: PART NUMBER: XDSM-1023-4332
SEE NOTES	SEE NOTES	CHKD: SCALE SHEET REV. A0
DR:		1:1 1/2



ROHS



卡片放置方向

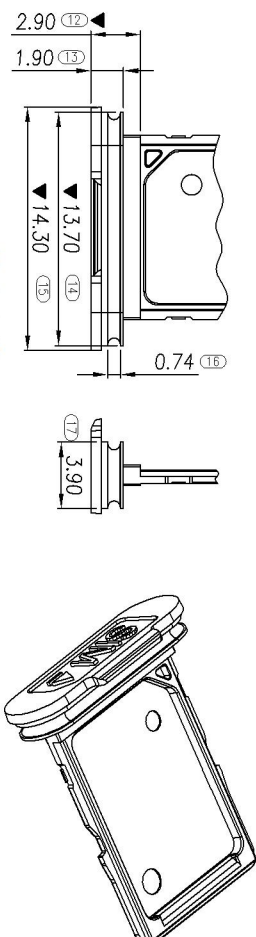


注：XDSMT-1023-4332-FS防水款可配：外径为7.5MM. 内径5.5MM. 圈径1MM之软硅胶防水圈

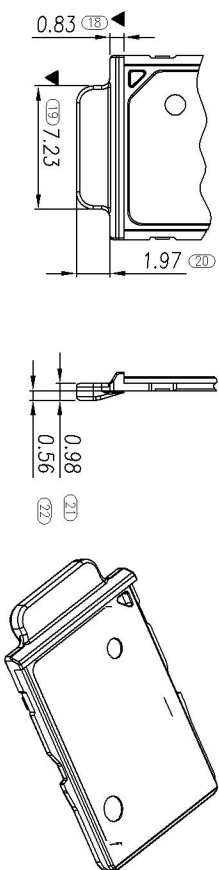
ITEM	PART NAME	QTY	MATERIAL	FINISH
1	HOUSING	1	Polycarbonate	Black UL94V-0
2	SHELL	1	Stainless Steel	PLATING:Rinse

REV.	EC#	DESCRIPTION	DATE	DRAWING	CHECKED	APPROVED
A0		NEW RELEASE	09/24/20	WZX	/	SUNNLY

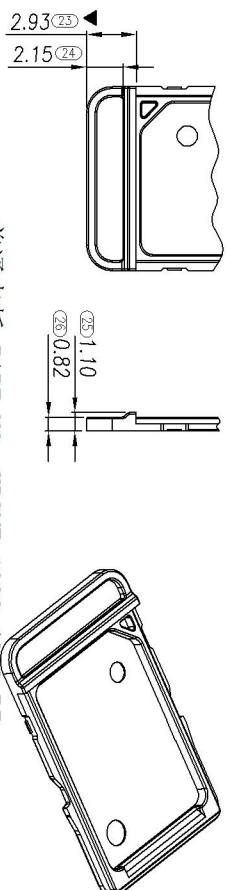
TABLE:



防水卡托 PART NO.: XDSMT-1023-4332-FS



普通卡托 PART NO.: XDSMT-1023-4332-TY



普通卡托 PART NO.: XDSMT-1023-4332-PZ

MILLIMETERS	INCH	UNITS	MM
X ± 2	X ± 2	MAT'L	
X ± 0.30	XX ± 0.012	SEE NOTES	
XX ± 0.20	XXX ± 0.008	FINISH	
XXX ± 0.15	XXXX ± 0.004	SEE NOTES	

THESE DIMENSIONS AND SPECIFICATIONS ARE THE PROPERTY OF Dongguan Anhua Metal Plastic Technology Co., Ltd. OPERATE OR USE IN ANY MANNER WITHOUT THE WRITTEN PERMIT OR CONSENT OF Dongguan Anhua Metal Plastic Technology Co., Ltd.

APPD:	LYSMKT-102314332-KT-00	DWG NO.:	
CHKD:		TITLE:	SIM NANO 1.38H 配套卡托客户图
DR:		PART NUMBER:	XDSMT-1023-4332-FS/TY/PZ

深圳市连欣科技有限公司

SCALE	1:1
SHEET	1/1
REV.	A0