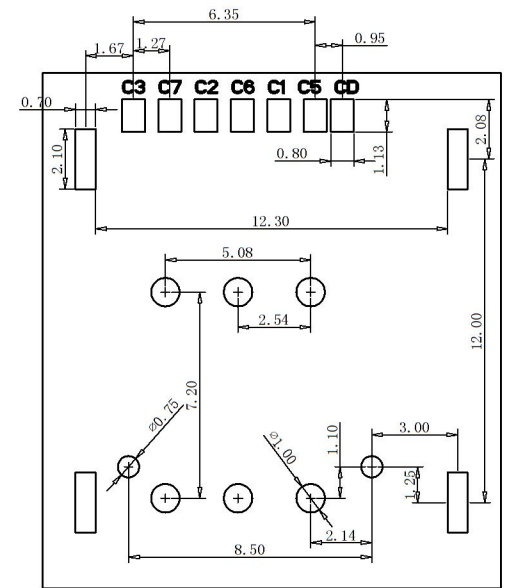
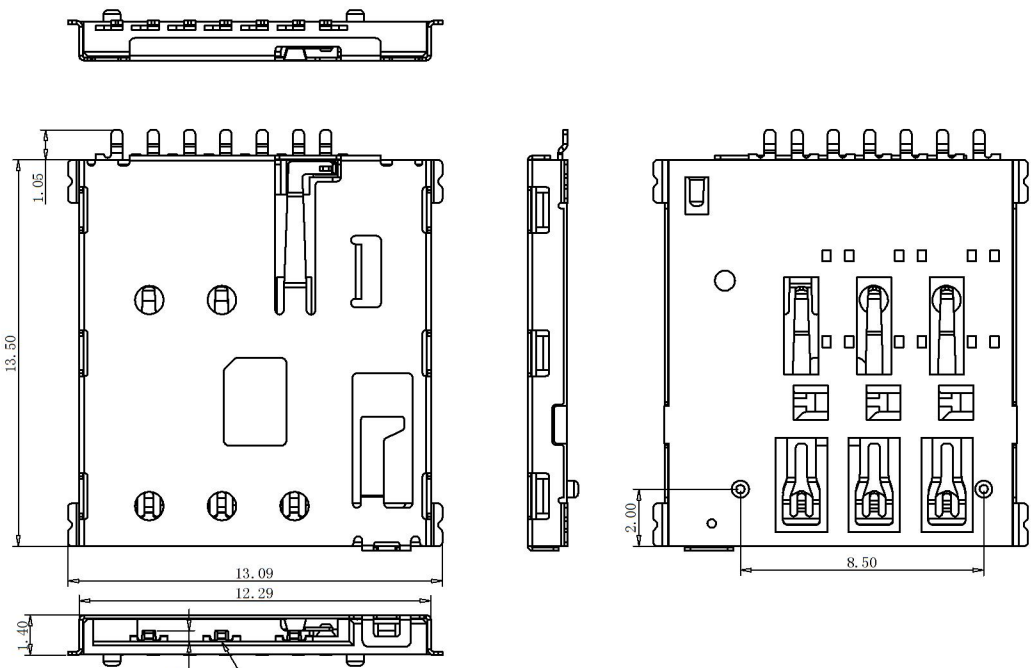
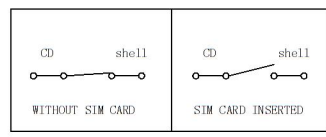
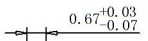
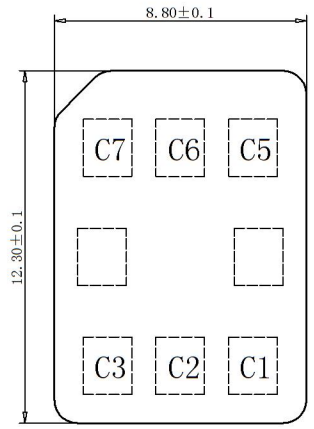


REV.	DESCRIPTION	APPD	DATE



- 1) MATERIAL:
HOUSING: LCP S475 UL 94V-0
CONTACT: C5210R-H
SHELL: SUS304-H
- 2) FINISH:
CONTACT: GOLD FLASH PLATED ON CONTACT AREA;
GOLD FLASH PLATED ON SOLDER TAILS,
- 3) ELECTRICAL CHARACTERISTICS
RATING CURRENT : 0.5A MAX.
CONTACT RESISTANCE : 50 mΩ MAX
DIELECTRIC WITHSTANDING : 500V AC MIN.
INSULATION RESISTANCE: 1000 MΩ MIN.
- 4) MECHANICAL CHARACTERISTICS
MATING CYCLE : 3000 CYCLES

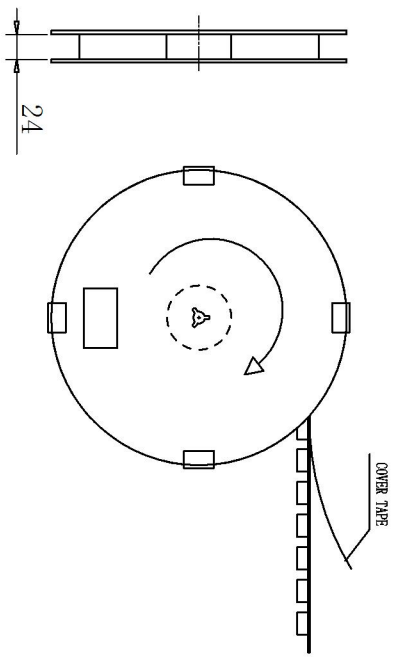
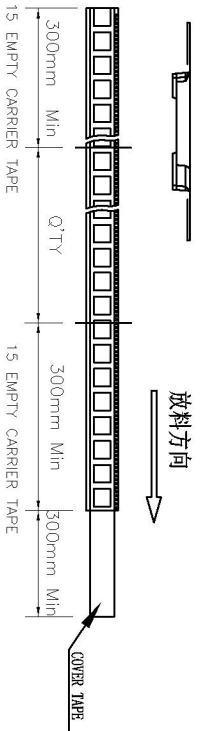
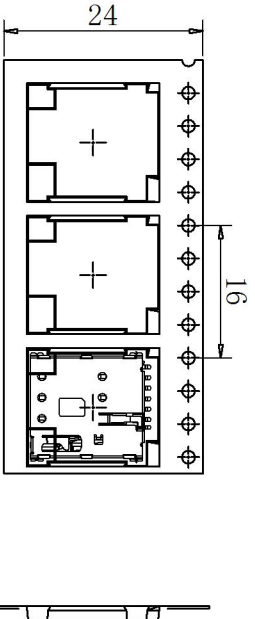
SIM pin Assignment	
PIN#	Name
C1	VCC
C2	RST
C3	CLK
C5	GND
C6	VPP
C7	I/O



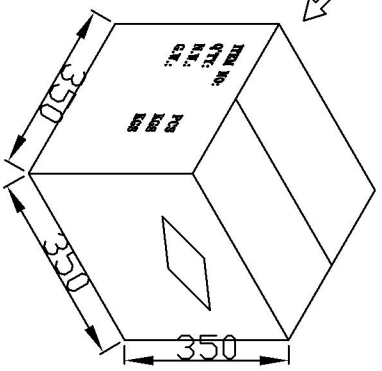
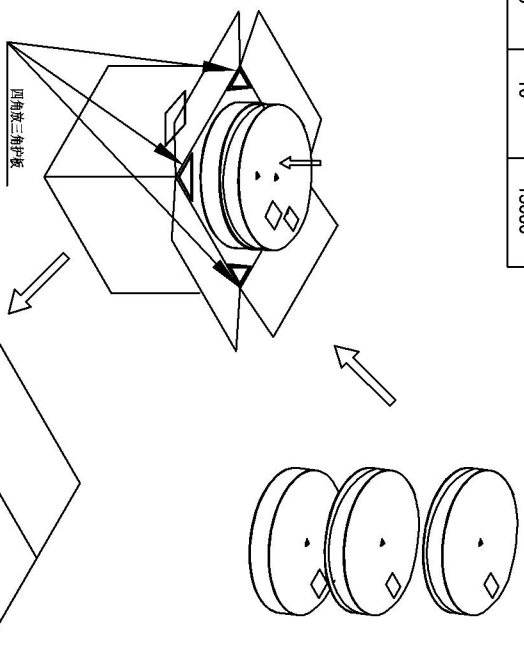
DWG NO: LXSIM-090012-01	MATERIAL:	深圳市连欣科技有限公司	
LOT NO:	FINSH:		
UNIT: MM	SIZE: A4	COLOR:	TITLE: NANO SIM PUSN 卡座
TOLERANCES: X. X=±0.35 X. XX=±0.25 X. XXX=±0.15	GENERAL ANGLE: X. X=±3.0° X. XX=±2.0°	DR: 刘军	PART NO: XD5M-0420-2182B
		CHK:	REV: A
		APP:	SCALE: 1:1 SHEET: 1 OF 1

REV.	DESCRIPTION	APPD	DATE

QTY/REEL	REEL/CARTON	QTY/CARTON
1500	10	15000



- 1, 每盘前后空5PSC, 中间包装1500PCS
- 2, 每箱10盘, 共15000PCS。
- 3, 纸箱四角放脚柱。



DWG NO.: I.XSIM-090012-01		MATERIAL:	
LOT NO.:		FINISH:	
UNIT: MM	SIZE: A4	COLOR:	
TOLERANCES:		DR: 刘军	
GENERAL:		CHK:	
ANGLE:		APP:	
X.X = ±0.35	X.X = ±3.0°	PART NO.:	SCALE: 1:1
X.XY = ±0.25	X.XX = ±2.0°	XDSM-0420-2182B	SHEET: 1 OF 1
X.XXX = ±0.15		REV: A	

深圳市连欣科技有限公司

NANO SIM PUSN 卡座

