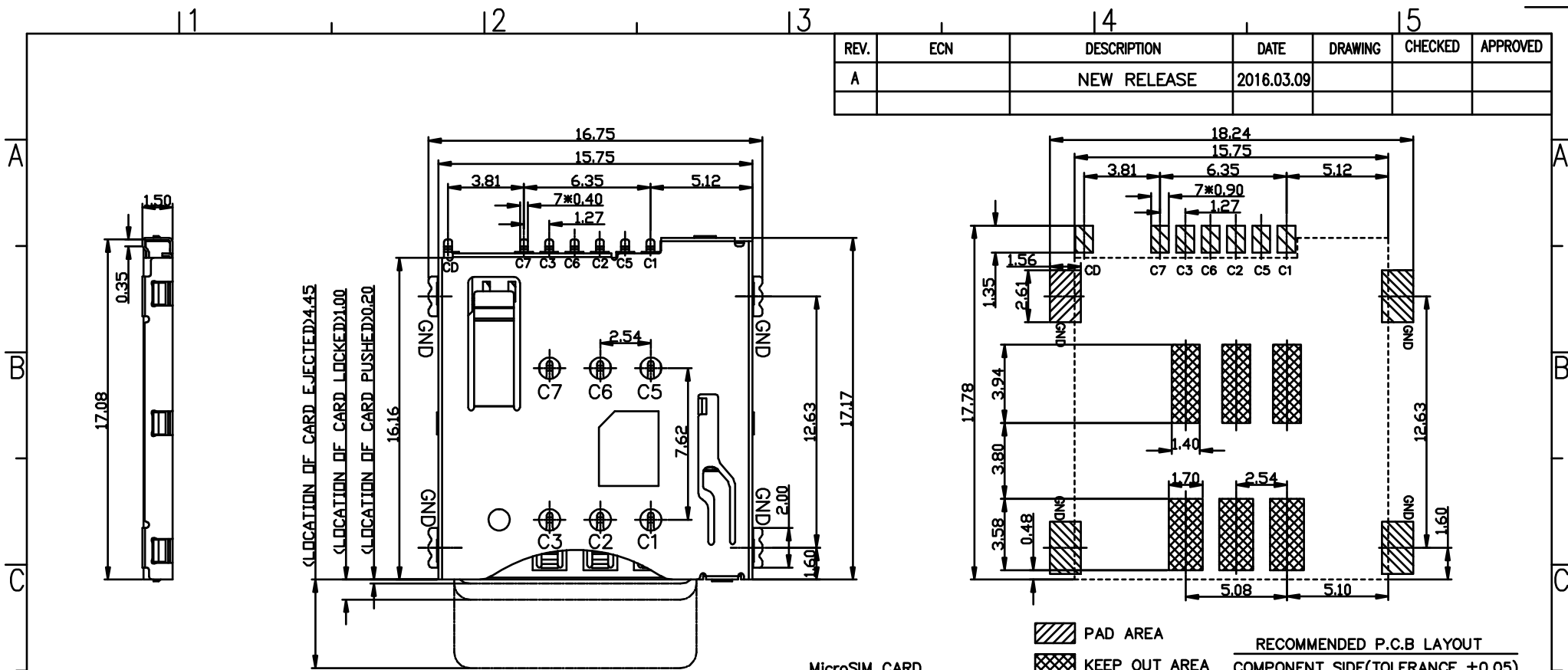


REV.	ECN	DESCRIPTION	DATE	DRAWING	CHECKED	APPROVED
A		NEW RELEASE	2016.03.09			



**TECHNICAL CHARACTERISTICS**

**1.General Characteristics**

Dimensions: 15.75LX17.17WX1.50H mm  
 Weight: Approx 0.4±0.1g  
 Durability: 1500 cycles min.

**2.Electrical Characteristics**

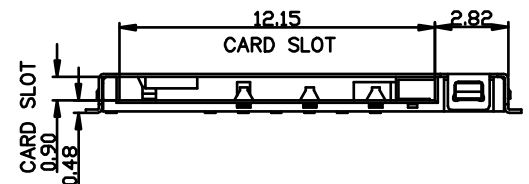
Contact resistance;  
 Date Contact: 150mΩ max  
 CD Switch: 500mΩ max  
 Insulation resistance: >1000MΩ/500V DC

**3.Solderability**

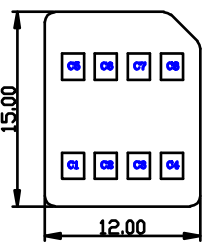
Vapor phase: 215°C, 30sec. Max  
 IR reflow: 250°C, 5sec. Max  
 Manual soldering: 370°C, 3sec. Max

**4.Environmental Characteristics**

Operating temperature: -40°C~+85°C  
 Operating humidity: 10%~+95%RH



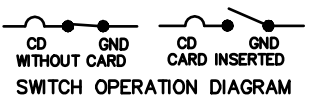
MicroSIM CARD



SCALE 1:2

Pin No.	NAME
C1	VCC
C2	RST
C3	CLK
C4	Reserved
C5	GND
C6	VPP
C7	I/O
C8	Reserved

ELECTRIC FUNCTION	DETECT SWITCH
WITHOUT CARD	CLOSED
CARD INSERTED	OPEN



ITEM	PART NAME	Q'TY	MATERIAL	FINISH
1	HOUSING	1	Hi-temp Thermoplastic	Black UL94V-0
2	DATA CONTACT	6	Copper Alloy	Contact area: Gold plated
3	CD SWITCH	1	Copper Alloy	Contact area: Gold plated
4	SHELL	1	Stainless Steel	SMT area: Gold plated
5	COIL SPRING	1	SWP	
6	HEART CAM	1	Hi-temp Thermoplastic	Black UL94V-0
7	CAM PIN	1	Stainless Steel	

RECOMMENDED P.C.B LAYOUT COMPONENT SIDE (TOLERANCE ±0.05)

Legend: PAD AREA KEEP OUT AREA

MILLIMETERS	INCH	UNITS	MM
X' ± 2'	X' ± 2'	MAT'L	
.X ± 0.30	.XX ± 0.012	SEE NOTES	
.XX ± 0.25	.XXX ± 0.008	FINISH	
.XXX ± 0.15	.XXXX ± 0.004	SEE NOTES	
		QTY	
		SEE NOTES	

**深圳市连欣科技有限公司**

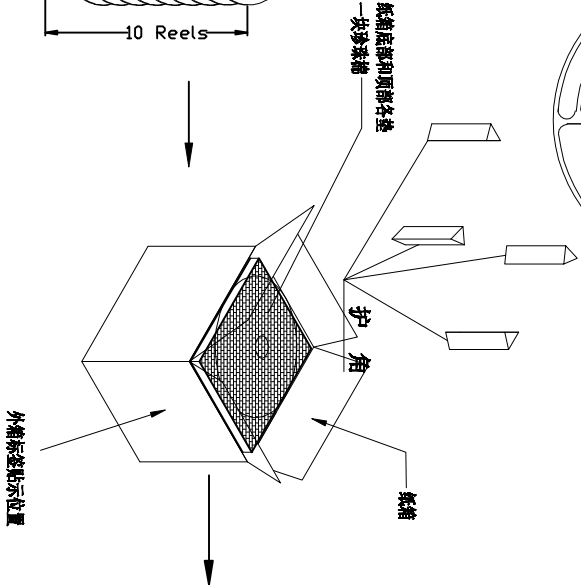
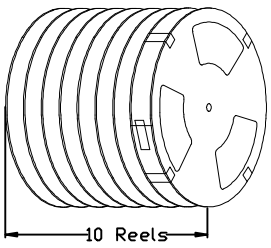
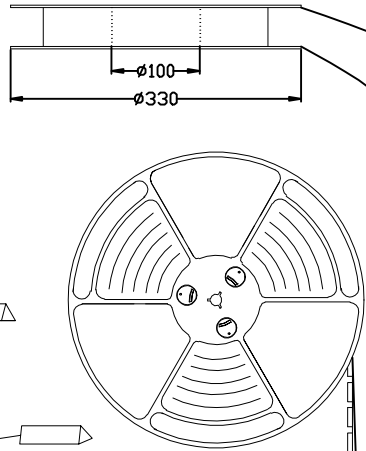
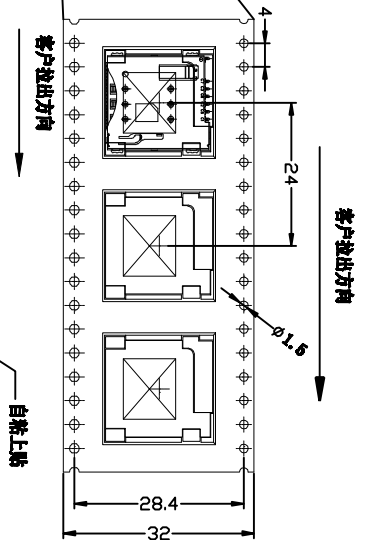
PART NUMBER: XDSM-1020-0342 TITLE: MicroSIM PUSH H1.5

APPD: Sean DWG NO.: 102011342

CHKD: DR: Yang

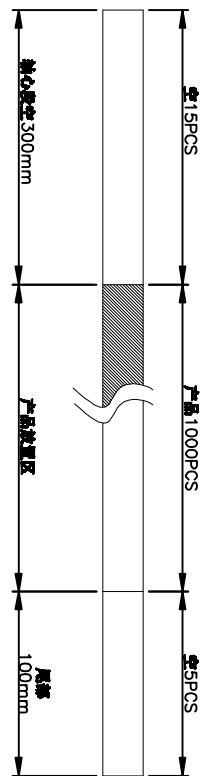
SCALE: 1:1 SHEET: 1 REV: A

THESE DRAWINGS AND SPECIFICATIONS ARE THE PROPERTY OF Jin Li Electronics Group. COPIED OR USED IN ANY MANNER WITHOUT THE PRIOR WRITTEN CONSENT OF Jin Li Electronics Group IS PROHIBITED.



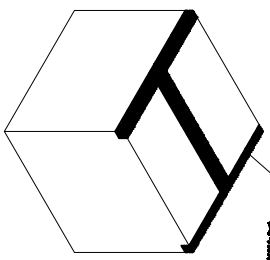
将10卷产品放入箱内

- NOTES
- 1.每卷包装数量: 1000PCS/每卷
  - 2.卷带包装方式:



- 3.每卷包装数量: 10000PCS/卷
- 4.纸箱350mm\*350mm\*440mm (内部尺寸), 材质E=K

封箱胶带



MILLIMETERS	INCH	UNITS	MM
X <sub>1</sub> ± 2'	X <sub>1</sub> ±	MAT'L	
X ± 0.20	.XX ±	SEE NOTES	
XX ± 0.10	.XXX ±	FINISH	
XXX ± 0.05	.XXXX ±	SEE NOTES	

THESE DIMENSIONS AND SPECIFICATIONS ARE THE PROPERTY OF SHENZHEN HAITONG ELECTRONICS GROUP. NO PARTS OR INFORMATION HEREIN ARE TO BE REPRODUCED OR TRANSMITTED IN ANY FORM OR BY ANY MEANS, ELECTRONIC OR MECHANICAL, WITHOUT THE PRIOR WRITTEN CONSENT OF SH. BT. Ltd. Electronics Group is PROHIBITED.

<b>深圳市连欣科技有限公司</b>		TITLE: <b>MicrosiM PUSI HL 5(卷装组装图)</b>	
PART NUMBER: XDSM-1020-0342		DWG NO.: 102011342	
APPD: HaiYong	CHKD: ---	DR: YZZ	SCALE: 1:1
SEE NOTES	SEE NOTES	SEE NOTES	SHEET: 2/2
SEE NOTES	SEE NOTES	SEE NOTES	REV: A2

1 2 3 4 15