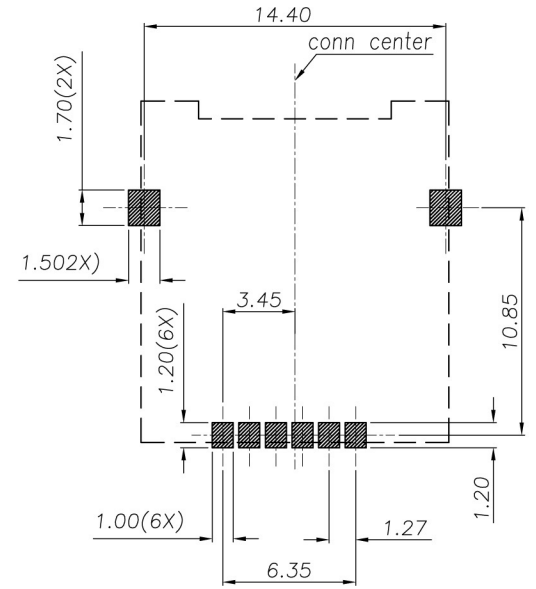
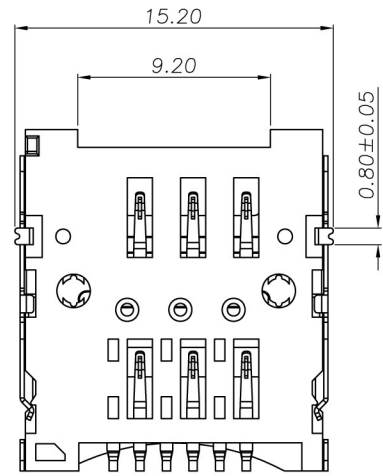
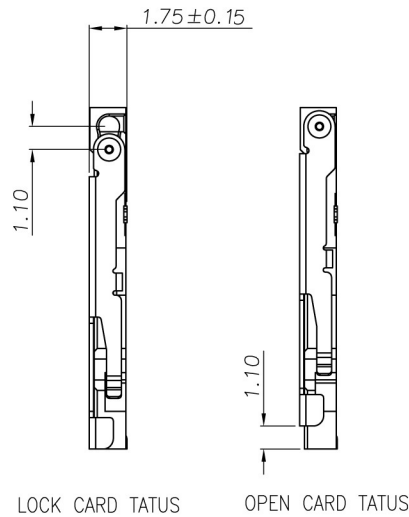
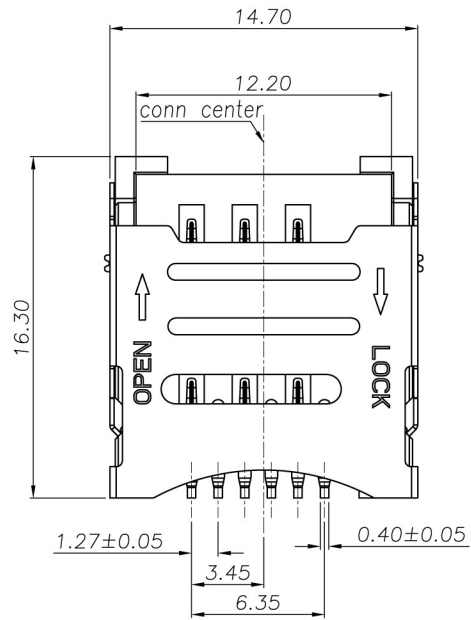
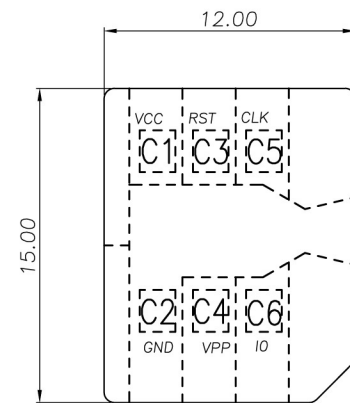


Rev No.	Description of Revision	Date	Name	Approved	ECN No.
A					



RECOMMENDED PCB LAYOUT(Top View)  
GENERAL TOLERANCE ±0.05

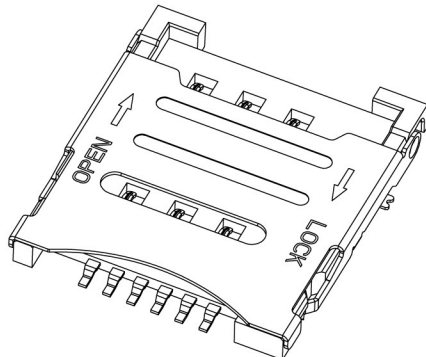


MICRO SIM

PIN NO.	NAME	PIN NO.	NAME
C1	VCC	C4	VPP
C2	GND	C5	CLK
C3	RST	C6	IO

NOTES:

1. ELECTRICAL CHARACTERISTICS
  - 1-1. CONTACT RESISTANCE: 60 Milliohms Max
  - 1-2. INSULATION RESISTANCE: 1,000 Megohms Min.
  - 1-3. VOLTAGE RATING: 50V.
  - 1-4. CURRENT RATING: 1.0A.
2. MECHANICAL CHARACTERISTICS
  - 2-1. OPERATION TEMPERATURE RANGE: -25°C~+85°C
  - 2-2. DURABILITY: 5000 CYCLES
3. MATERIAL:
  - 3-1. HOUSING: THERMOPLASTIC,UL 94-V0
  - 3-2. TERMINAL: PHOSPHOR BRONZE,T=0.15
  - 3-3. SHELL: STAINLESS STEEL,T=0.20
4. FINISHED:
  - 4-1. TERMINAL: Ni PLATED UNDER, 3U" Au MIN PLATED ON CONTACT AREA,AU PLATED ON SOLDER TAIL
  - 4-2. SHELL: Ni PLATED UNDER,G/F PLATED ON SOLDER TAIL



UNLESS OTHERWISE SPECIFIED TOLERANCES		 <b>深圳市连欣科技有限公司</b> Shenzhen City Lianxin Technology Co., LTD			
DECIMALS:	ANGLES	TITLE: MICRO SIM CARD 1.8H 掀盖客户图			
X. ±0.20	X°. ±2'	Drwn. LIUCHUN	PART NO. XDSM-0181-0618-A		
X.X ±0.15	X.X' ±1'	Checked. LIUCHUN	SCALE. 1:1	UNIT. mm	PROJ. 
X.XX ±0.10	X.XX' ±0.5'	Approved. JACK.D	SIZE. A4	SHEET. 1 OF 1	REV. A
X.XXX ±0.05		CUSTOMER COPY			