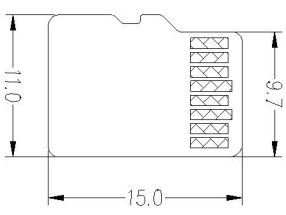
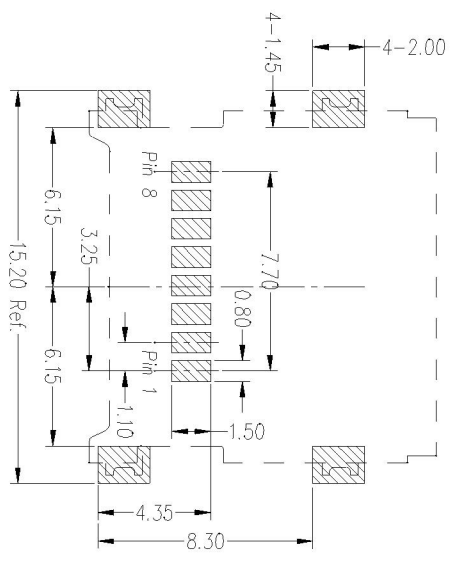
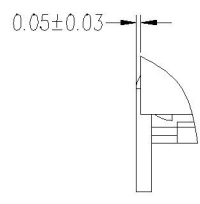
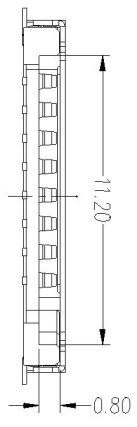
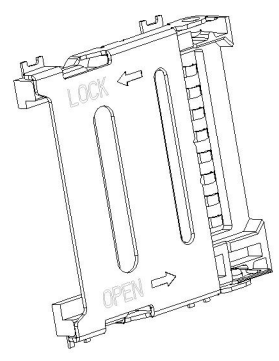
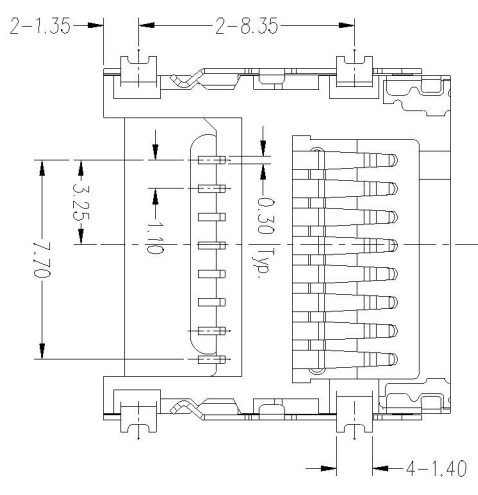
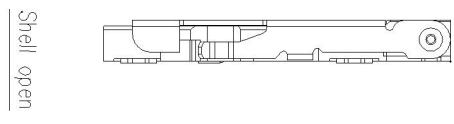
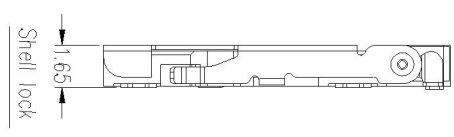
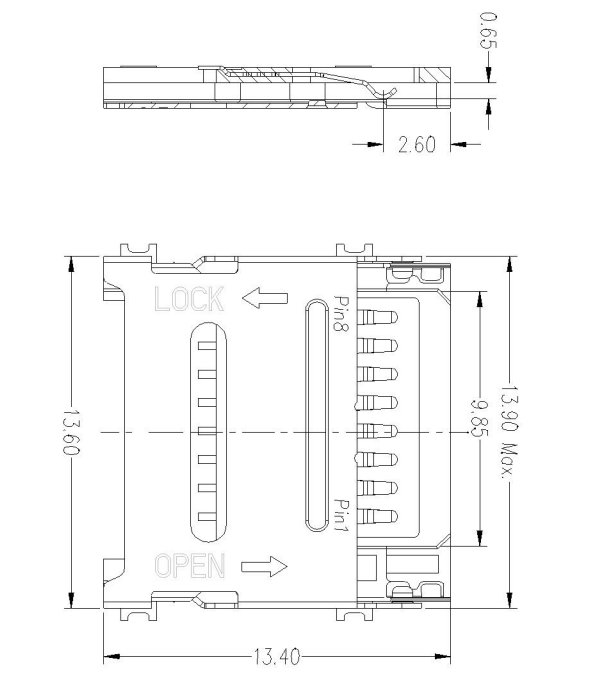


REV.	ENR NO	LOCATIONS	DESCRIPTION	DATE	REVISER	APPD
A						



Pin No.	NAME	UNIT	SIZE	COLOR	DR	CHK	APP
P1	DATE 2	mm	A4		See note		
P2	CD/DATE 3	mm	A4		See note		
P3	CMD	mm	A4		See note		
P4	VDD	mm	A4		See note		
P5	CLK	mm	A4		See note		
P6	VSS	mm	A4		See note		
P7	DAT0	mm	A4		See note		
P8	DAT1	mm	A4		See note		

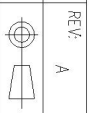
No.	Name	Material	Finish
1	Housing	LCP S475, Black	UL 94V-0
2	Contact	C2680; T=0.15	50u"Min. Ni underplated all; 0.5~1u"Min Au plated Contact Area; Solder tails
3	Shell	Sus201; T=0.20	None

DWG NO:	TF08-B11001-011	MATERIAL:	See note
MODEL NO:		FINISH:	See note
UNIT:	mm	COLOR:	See note
TOLERANCE UNSPECIFIED			
P1	.x	DR:	陈国清
P6	±0.20	CHK:	
P7	±0.10	APP:	
P8	±0.05	SCALE:	1:1
	ANG.	SHEET:	1/1
		REV:	A

深圳市连欣科技有限公司

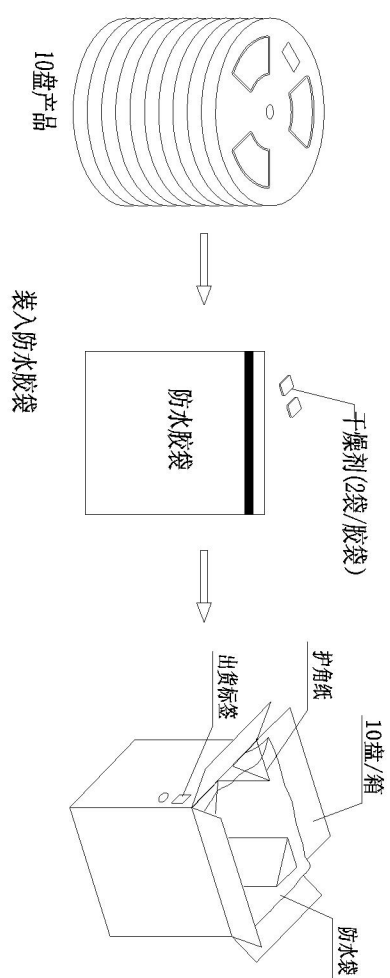
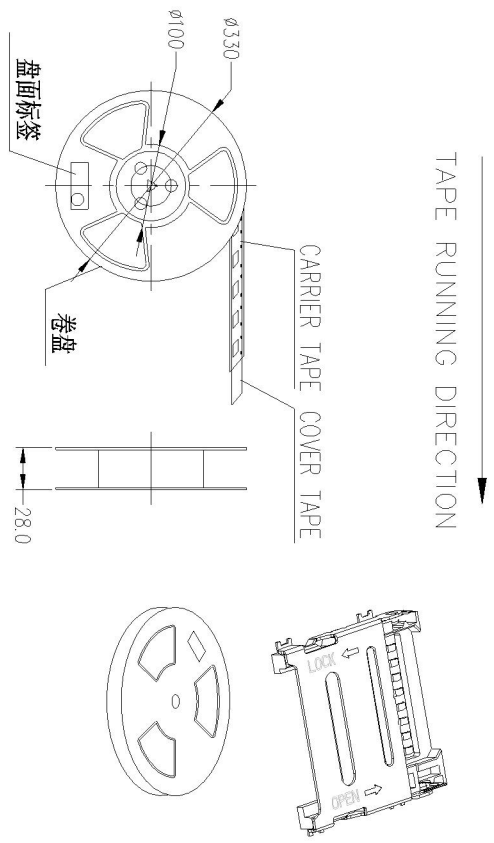
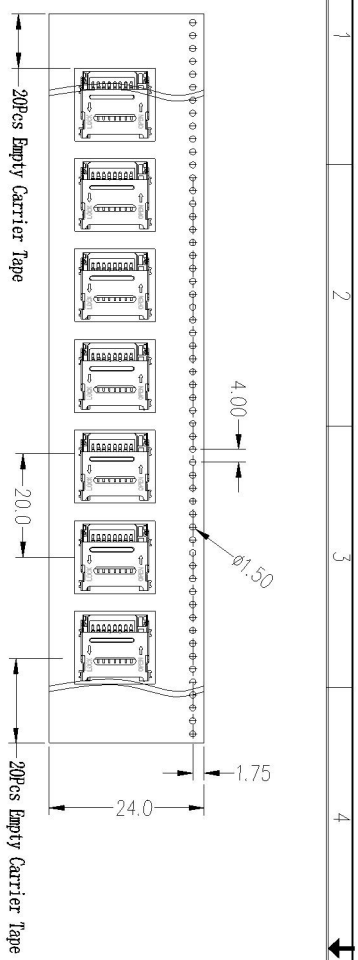
TF卡 掀盖式1.6H

XDFP-08150-0123



- Note:
1. Specification:
 - 1.1 Voltage Rating: 50V
 - 1.2 Current rating: 1 A Max.
 - 1.3 Dielectric withstanding voltage: 250 V(ac) for 1 min.
 - 1.4 Contact resistance: 50 mΩ Max.
 - 1.5 Insulation resistance: 1000 MΩ Min.
 - 1.6 Durability: 3000 Cycles
 - 1.7 Temperature range: -30°C~80°C

RECOMMENDED PCB LAYOUT



REV.	EON NO	LOCATIONS	DESCRIPTION	DATE	REVISER	APPD
A						

NOTE:

1. 如图所示, 将成品以1500PCS/卷, 共10盘. 放入放水袋中, 整箱: 15000Pcs, 中, 再将COVER TAPE贴合, 并于卷盘上贴盘面和ROHS标签各一张.
2. 放入两包干燥剂一起装入防水胶袋,
3. 于纸箱四角放入护角纸
4. 纸箱封箱后以打包带"#"字形封箱, 并于侧面贴上市出货标签和大ROHS标签; 所有未完整箱之零数箱须以缓冲材料填满.
5. 标签: 若客户另有贴标签要求, 则按其定单注明之要求贴;
6. 本包装方式适用产品: TF卡掀盖式系列

序号	名称	料号	单位	备注
⑦	防水胶袋		1	PCS
⑥	护角纸		4	PCS
⑤	盘面标签		10	PCS
④	出货标签		1	PCS
③	干燥剂		2	BAG
②	纸箱		1	PCS
①	卷盘		10	SET

DWG NO:		MATERIAL:		See note	
MODEL NO:		FINSH:		See note	
UNIT:	SIZE:	COLOR:	See note		
mm	A4				
TOLERANCE UNSPECIFIED		DR: 陈国清			
.x	±0.38	CHK:			
.xx	±0.25	APP:			
.xxx	±0.13	SCALE: 1:1			
ANG.	±2°	SHEET: 1/1			

深圳市连欣科技有限公司

TF卡 掀盖式1.6H包装图

