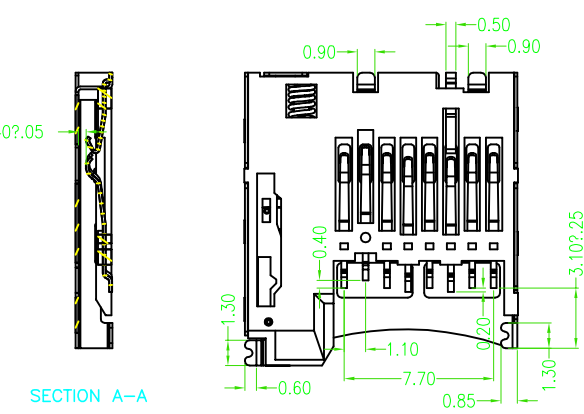
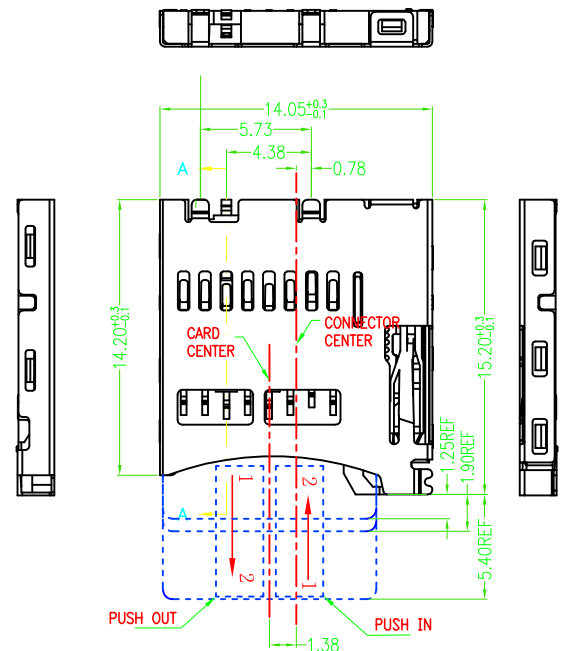
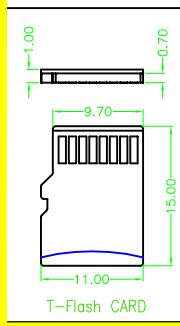
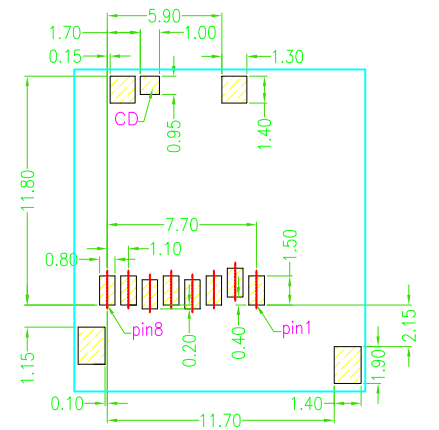
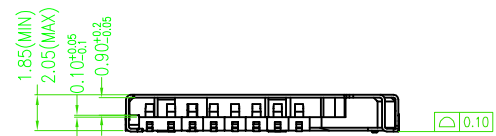
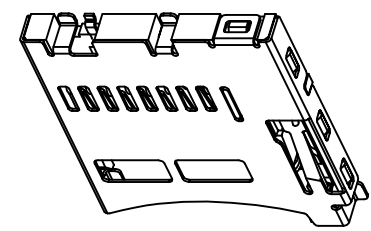


REV.	DESCRIPTION	APPD	DATE



- NOTES:
- MATERIAL:
HOUSING: HIGH TEMPERATURE THERMOPLASTIC
UL94V_0,COLOR:BLACK.
CONTACT: COPPER ALLOYS.
COVER: COPPER ALLOYS OR STEEL.
 - PLATING:
UNDERPLATE: NICKEL.
CONTACT AREA: GOLD OVER NICKEL.
SOLDER AREA: TIN OVER NICKEL.
 - MULTIMEDIA CARD COMPATIBLE



PIN NO.	NAME	YTYPE	DESCRIPTION
1	DATE2	I/O/PP	DATE LINE(BIT2)
2	CD/DAT3	I/O/PP	CARD DETECT DATE LIN(BIT3)
3	CMD	PP	COMMAND RESPONSE
4	VDD	S	SUPPLY VOLTAGE
5	CLX	I	CLOCK
6	VSS	S	SUPPLY VOLTAGE GROUND
7	DATO	I/O/PP	DATE LINE(BIT0)
8	DAT1	I/O/PP	DATE LINE(DIT1)

RECOMMENDED P.C.B HOLE LAYOUT COMPONENT SIDE VIEW(TOLERANCE: +/-0.05)

PART NO: XDTP-1001-069		MATERIAL:		深圳市连欣科技有限公司	
MODEL NO:		FINISH:			
UNIT: MM	SIZE: A4	COLOR:		TITLE: T-FLASH内焊 PUSH C Type	
TOLERANCES: X.X=?..35 X.XX=?..25 X.XXX=?..15		GENERAL ANGLE: X.X=?..0' X.XX=?..0' X.XXX=?..0'		DR: 黄 0416'10	
APP:		CHK:		DWG NO: TP-100069	REV: c/1
SCALE: 1:1		SHEET: 1 OF 2			