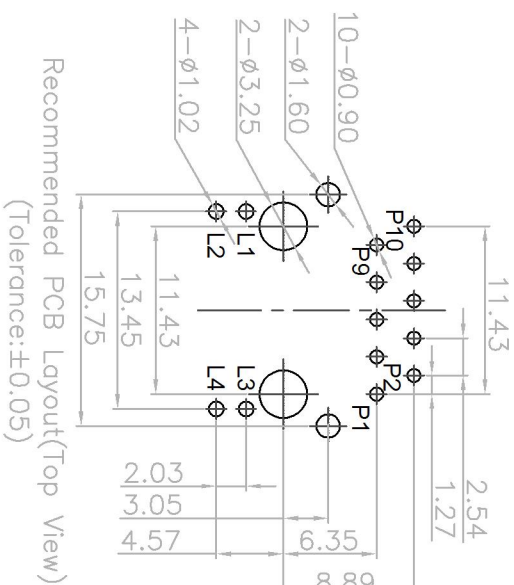


Emitting Color	λ p(nm)	V_f @ $I_f=20\text{mA}$
Green	565	1.8-2.5V
YELLOW	585	1.8-2.5V

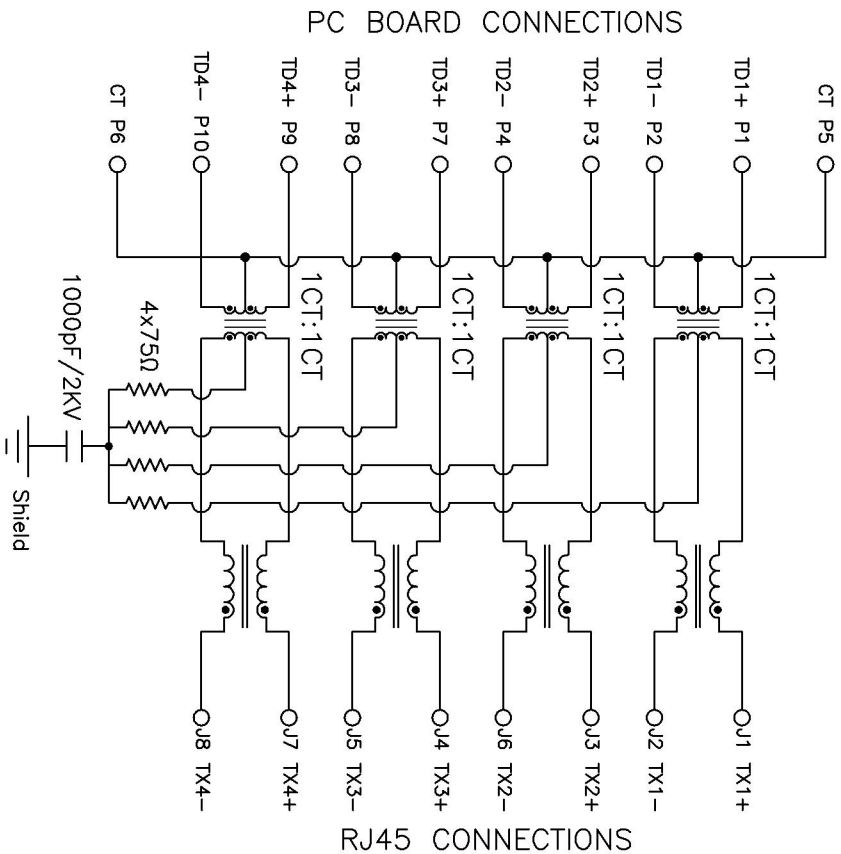


- Material:
 - Housing: PBT UL94V-0 Black.
 - Insert: PBT UL94V-0 Black.
 - Shell: 30u" Ni Over Brass(C2680), $T=0.20\text{mm}$.
 - RJ45 Terminal: Phosphor Bronze(C5191) $T=0.30\text{mm}$
- Environmental requirements:
 - Plating: 6u" Gold Plated On Contact Area, 80u" ~120u" Tin Plated On Solder Area, 50u" ~80u" Ni Underplated Overall.
 - Tail Terminal: Brass(C2680) $T=0.35\text{mm}$, Plating: 80u" ~120u" Tin Plated Over, 30u" ~50u" Ni Underplated Overall.
 - Lead-free process,compliant RoHS.

REV.	DESCRIPTION	DATE	DESIGN
A	NEW DESIGN	2024-10-09	JERRY MOU

深圳市连欣科技有限公司

UNIT: mm (inch)	DESIGN: Jerry	PART NAME: RJA5 1x1 Dip Top up 2.56 Base With LED 6u" NS
TOLERANCE: X.X ±0.35	CHECKED: Jerry	PART NO. XDRJ-A2500M-M1670
X.XXX ±0.25	APPROVED: Mou	DRAW NO. LXRJMT670A
X.XXXX ±0.15	SCALE:1:1	SHEET NO. 1 OF 1
Angle ±3.0°	SIZE:A4	



3. Electrical Specification @25°C:
 - 3.1 Inductance: 180uH Min With 8mA DC bias.
 - 3.2 Insertion loss : 1-50MHZ
50-125MHZ -1dB max.
125-200MHZ -2dB max.
 - 3.3 Return loss : 1-40MHZ
40-200MHZ -20dB min.
 - 3.4 Common Mode Rejection: 1-50MHZ
125MHZ -35dB min.
200MHZ -25dB min.
 - 3.5 Cross Talk: 1-40MHZ -35dB min.
40~125MHZ -35+15*log((Freq MHz/40MHZ)) dB min.
4. Operating and Storage Temperature:
 - 4.1 Operating Temperature : -40°C to +85°C.
 - 4.2 Storage Temperature : -40°C to +85°C.
5. Wave soldering peak temperature: 260°C.

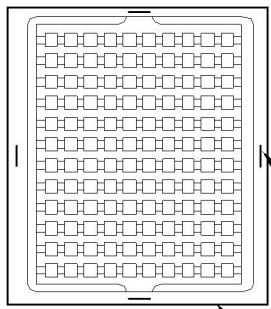
REV.	DESCRIPTION	DATE	DESIGN
A	NEW DESIGN	2024-10-09	JERRY MOU

深圳市连欣科技有限公司

		PART NAME: R145 1x1 Dip Tab up 2.5G Base With LED 6u" NS
TOLERANCE: XX ±0.35 XXX ±0.25 XXX ±0.15 Angle ±3.0°	CHECKED: Jerry	PART NO.: XDRJ-A2500M-M1670
SCALE: 1:1 SIZE: A4	APPROVED: Mou	DRAW NO.: LXRJ-M1670-A
		SHEET NO.: 1 OF 1

REV.	DESCRIPTION	DATE	DESIGN
A	NEW DESIGN	2024-10-09	JERRY MOU

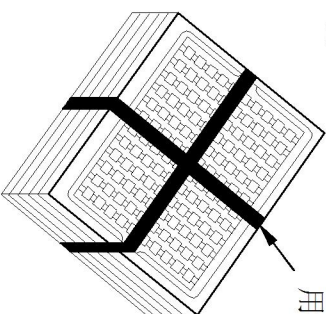
1



图周用订书针订紧
吸塑盒

每吸塑盒放120PCS产品

2



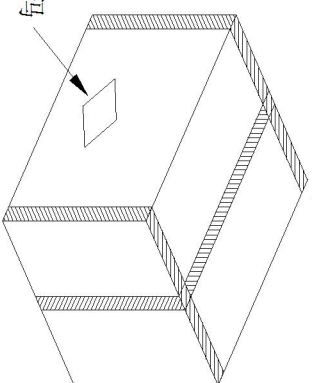
用拉伸膜“十”字型扎紧

5吸塑盒为一叠

3

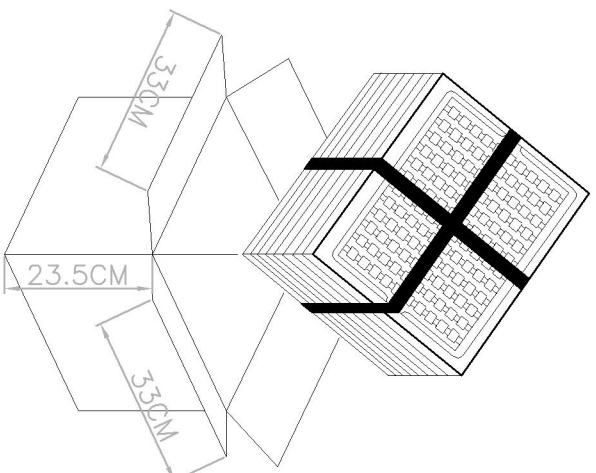
每箱放10盒吸塑盒，
(共10盒1200PCS产品)

4



封箱胶纸封箱

客户代码



深圳市连欣科技有限公司

UNIT: mm [inch]			
DESIGN: Jerry		PART NAME: R445 1x1 Dip Tab up 2.5G Base With LED 6u" NS	
CHECKED: Jerry		DRAW NO: XDRJ-A2500M-M1670	
APPROVED: Mou		SHEET NO: LXR-M1670-A	
TOLERANCE: XX ±0.35		SCALE: 1:1 SIZE: A4	
XX ±0.25		1 OF 1	
X.XXX ±0.15			
Angle ±3.0°			

1 2 3 4 5 6 7

A B C D E