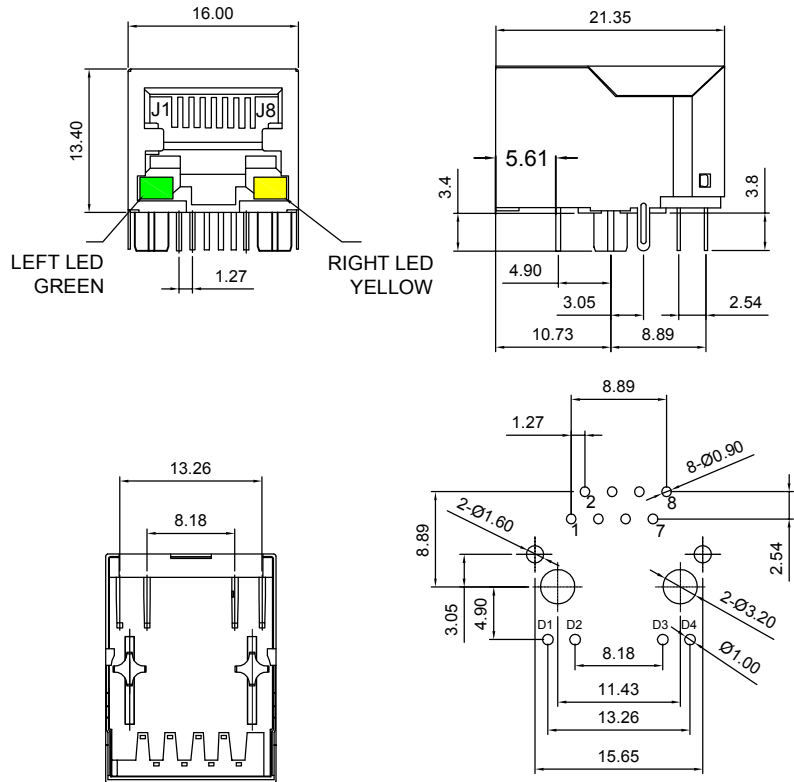


RoHS

REV.	ECN NO.	LOCATIONS	DESCRIPTION	DATE	DESIGN
A		N/A	New Design	2015.10.12	Jerry Li

1. Mechanical:

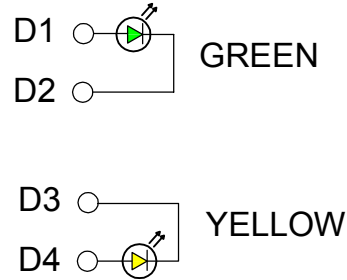


Recommend PCB Layout
(Jack Top View)

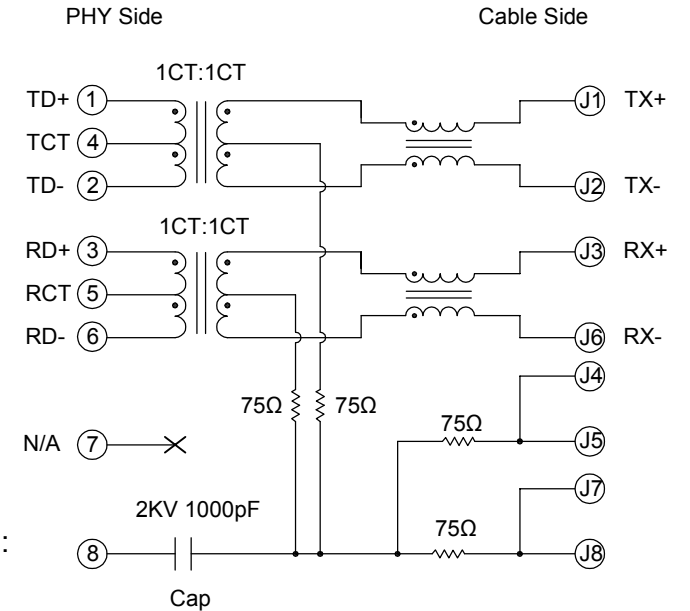
2. Material :

- 2.1 Housing: PBT,BK, Flammability Rating 94V-O.
- 2.2 Insert Base: PBT,BK, Flammability Rating 94V-O.
- 2.3 Shell: Brass, nickel plating.
- 2.4 Mold Jack Contacts: Phosphor Bronze, 6u" Gold plated.

3. Schematic :



4. Electrical Specification @25°C :



Item	Specification	Test Condition
Application	10/100 Base-T	
OCL	350uH Min	100KHz 0.1V 8mA DC Bias @ 0°C to 70°C
Leakage Inductance	0.4uH Max	100KHz 0.1V
DC Resistance	1.2 Ω Max	
Turn Ratio	1CT:1CT	100KHz 0.1V
Insertion Loss	-1.0dB Min	0.5-100 MHz
Return Loss	-16dB Max	0.5-30 MHz
	-12+20log(f/80)dB Max	30.1-80 MHz
	-10dB Max	80.1-100 MHz
Cross Talk	-35dB Max	0.5-40 MHz
	-33+20log(f/50)dB Max	40.1-100 MHz
CMRR	-30dB Max	0.5-100 MHz
Hi-pot Test(2pairs)	1mA Max	2250VDC
Operating Temperature	-40°C ~ +85°C	
Storage Temperature	-10°C ~ +40°C	

UNIT: mm [inch]

TOLERANCE:

Unless Otherwise Specification All Tolerance Are :±0.25mm

SCALE:1:1 SIZE:A4

深圳市连欣科技有限公司

DESIGN:	Jerry	PART NAME:	
CHECKED:	Jerry	RJ45 卧式DIP+LED 100兆滤波器 接触端镀金6U	
APPROVED:	Mou	PART NO.	XDRJ-A100M-M113
		DRAW NO.	LXRJ-113A3B1-0011
		SHEET NO.	01 OF 01