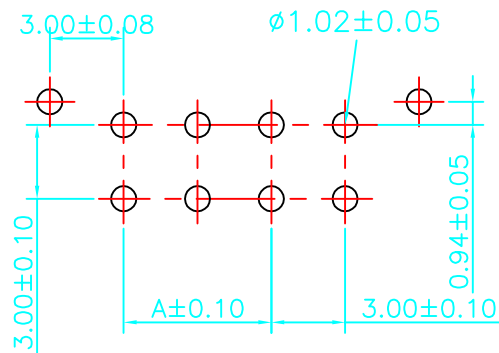
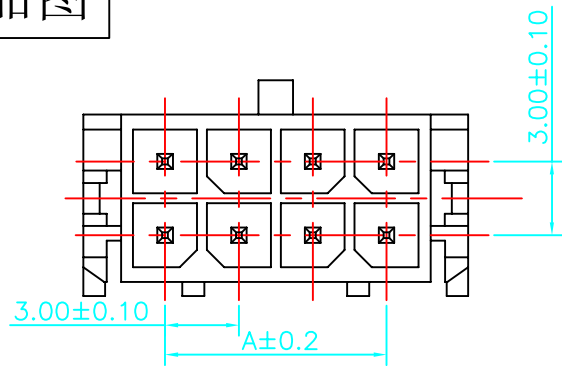


成品图



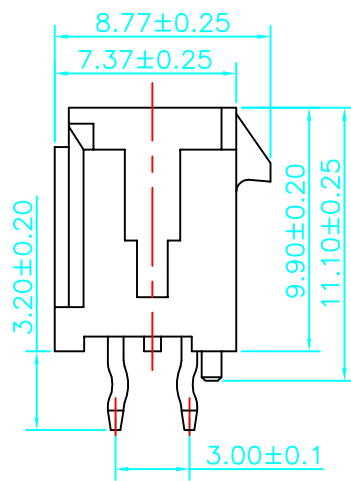
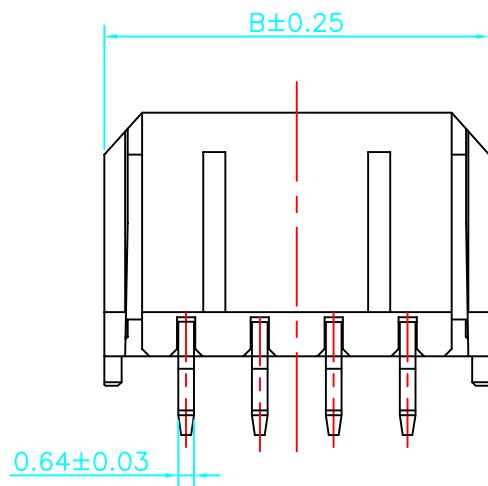
P.C.B LAYOUT

SPECIFICATIONS

Current Rating: 5A~8A AC,DC
 Voltage Rating: 500V AC,DC
 Temperature Range: $-45^{\circ}\text{C} \sim +105^{\circ}\text{C}$
 Contact Resistance: 10mΩ Max
 Insulation Resistance: 1000MΩ Min
 Withstanding Voltage: 1500V AC/minute
 Pin Material: Brass/Tin-plated
 Material: PA46/LCP GF30%,UL94V-0
 Color: Natural(Black)

Ordering Information & Dimensions

PART NO.	Dimensions	
	A	B
C3030WV-2X01P	---	6.65
C3030WV-2X02P	3.00	9.65
C3030WV-2X03P	6.00	12.65
C3030WV-2X04P	9.00	15.65
C3030WV-2X05P	12.00	18.65
C3030WV-2X06P	15.00	21.65
C3030WV-2X07P	18.00	24.65
C3030WV-2X08P	21.00	27.65
C3030WV-2X09P	24.00	30.65
C3030WV-2X10P	27.00	33.65
C3030WV-2X11P	30.00	36.65
C3030WV-2X12P	33.00	39.65



深圳市连欣科技有限公司

UNIT	SCALE	SHEET	TITLE:
mm		1 of 1	
DRAWN BY	APPROVED BY	3.00mm PITCH 180°WAFER, MICRO-FIT	
CHEN 2019.09.05			
GENERAL TOLERANCE			PART NO.:
X.X±0.25	ANGLE±	XDWF-C3030WV-2*NP	
X.XX±0.15	⊕		
X.XXX±0.05		REV.	AO
AO	NEW RELEASE	2019.09.05	
REV.	DESCRIPTION	DATE	